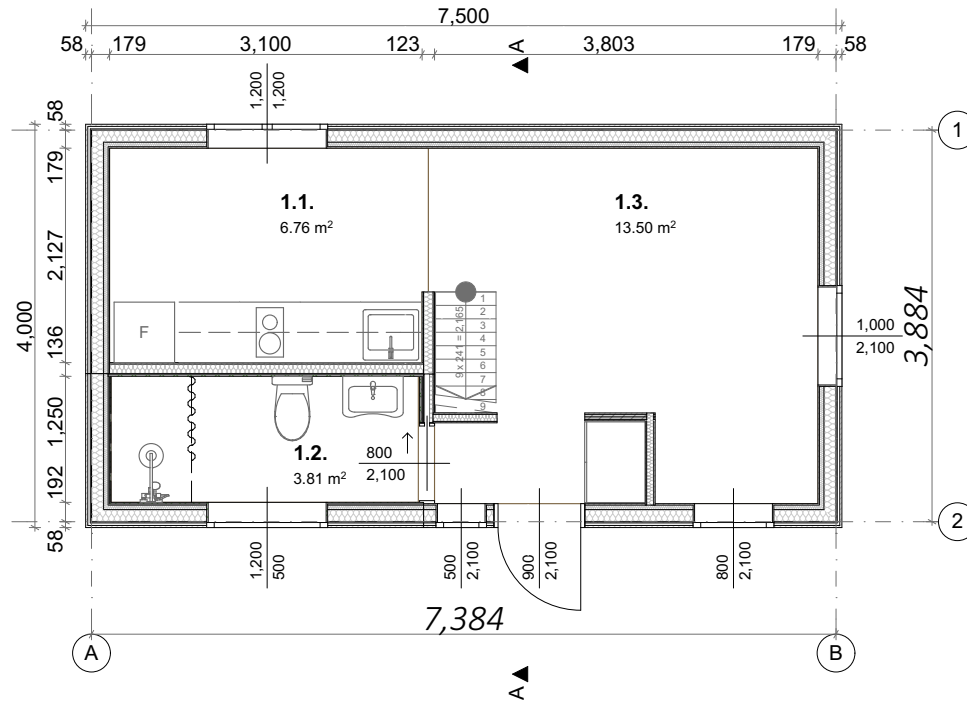
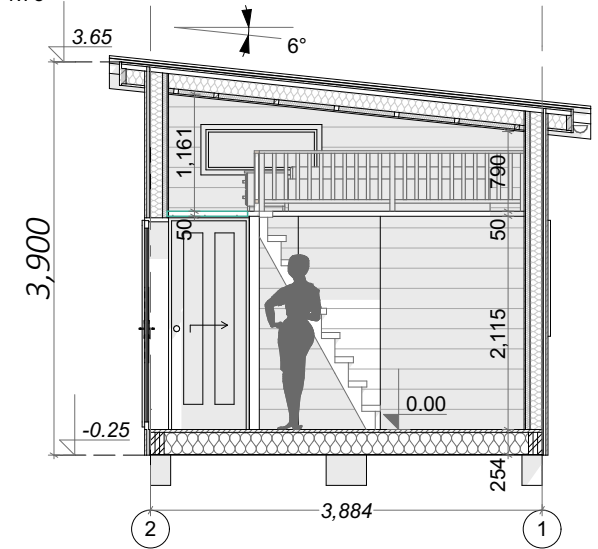


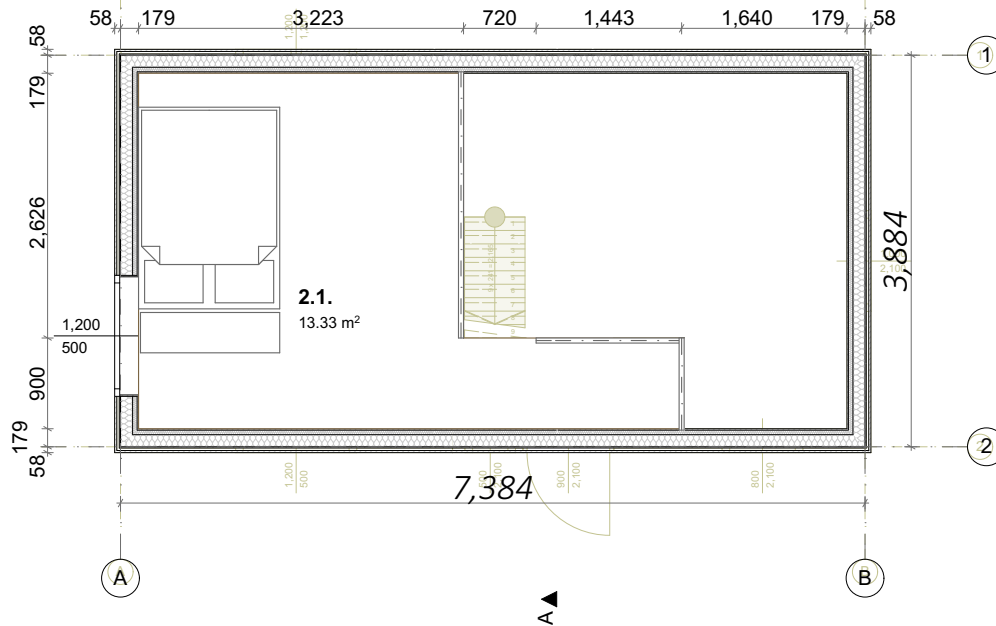
1st floor
S 1:75



Section A - A
S 1:75



Loft
S 1:75

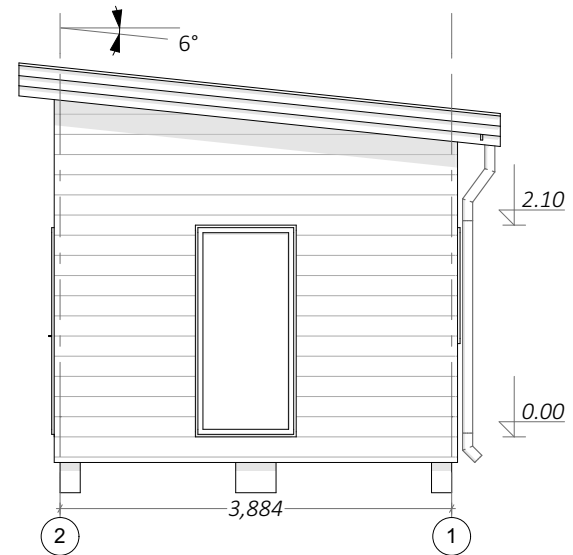
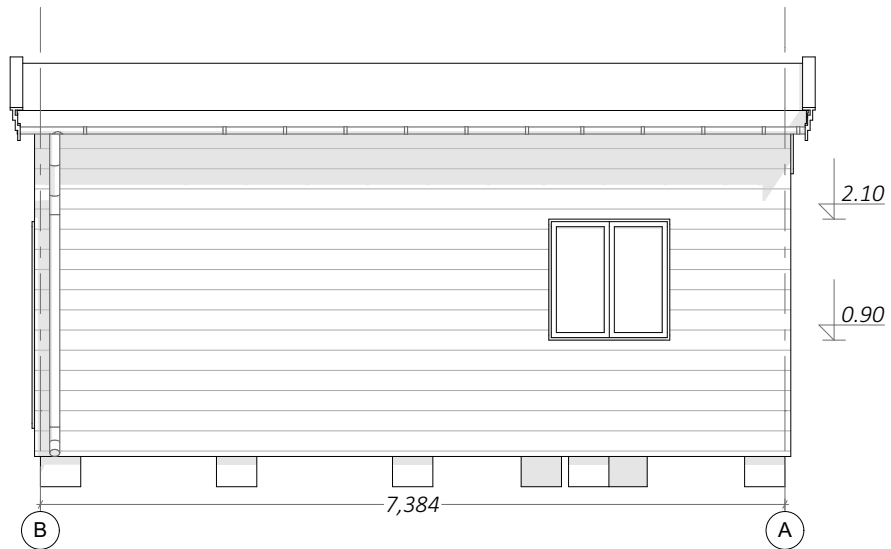
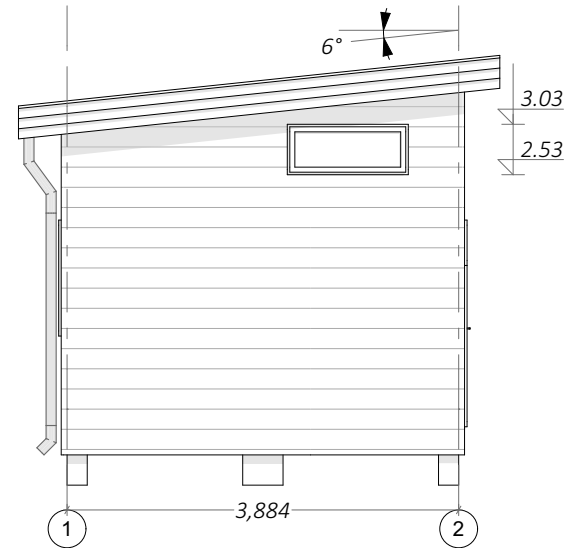
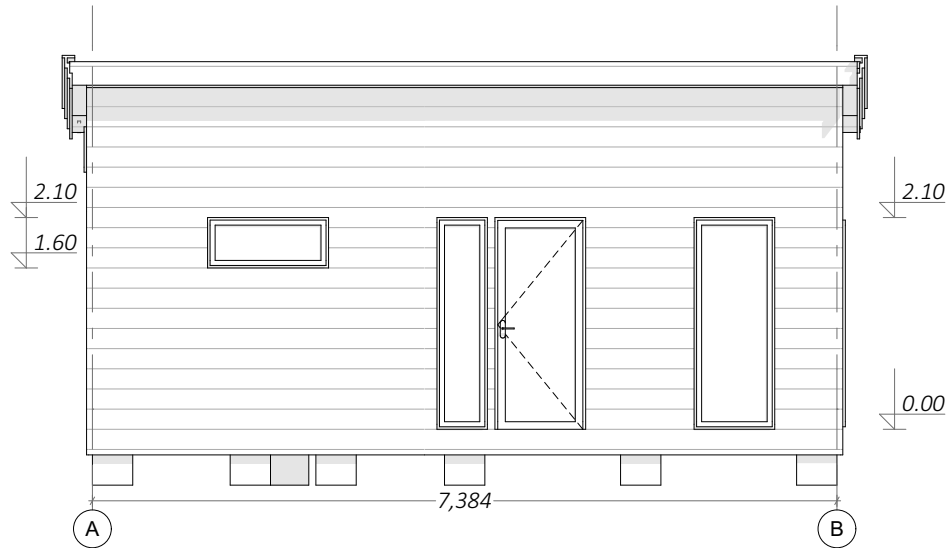


Total area: 30.00 m²

Living area: 24.07 m²
1st floor 13.50 m²
Loft 13.33 m²



FABRIKA RAUNA			
Model:		113	
Drawing:		Floorplans; Section A - A	
Customer:			
Scale:	Design: J. Peneze	Page	Pages
1:75/ A4	Date:	1	1



Model: 113

Drawing: Fasades

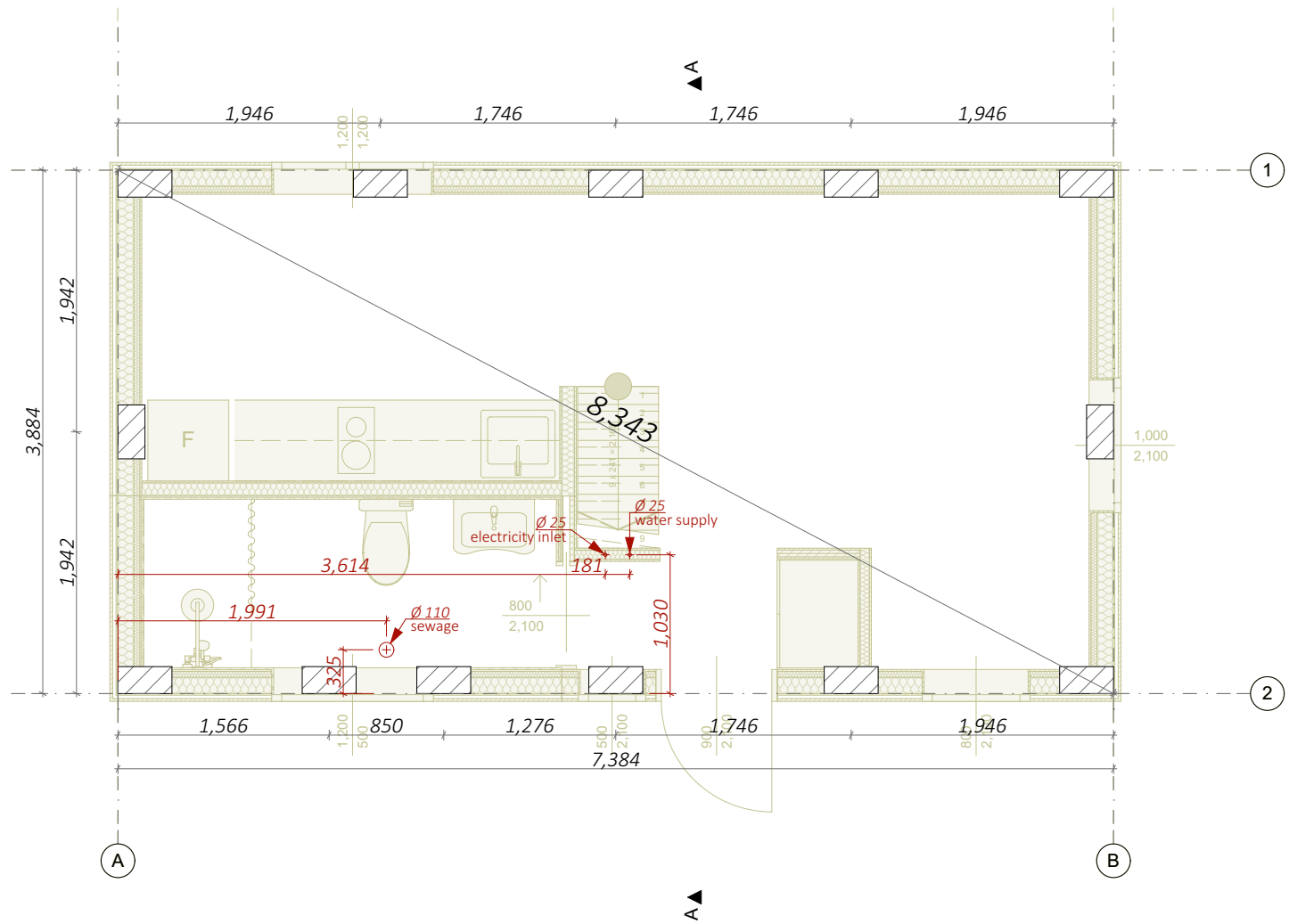
Customer:

Scale:
1:75/ A4

Design: J. Peneze
Date:

Page
2

Pages



FABRIKA RAUNA			
Model:		113	
Drawing:		Foundation	
Customer:			
Scale:	Design: J. Peneze	Page	Pages
1:50/ A4	Date:	3	